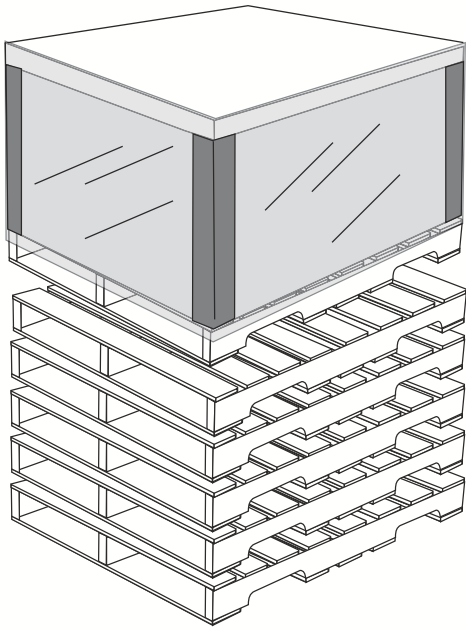
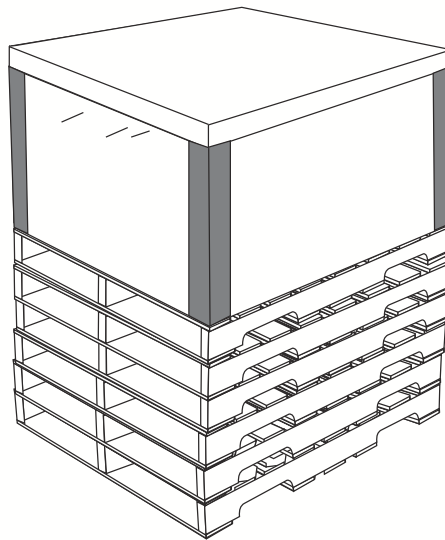


1



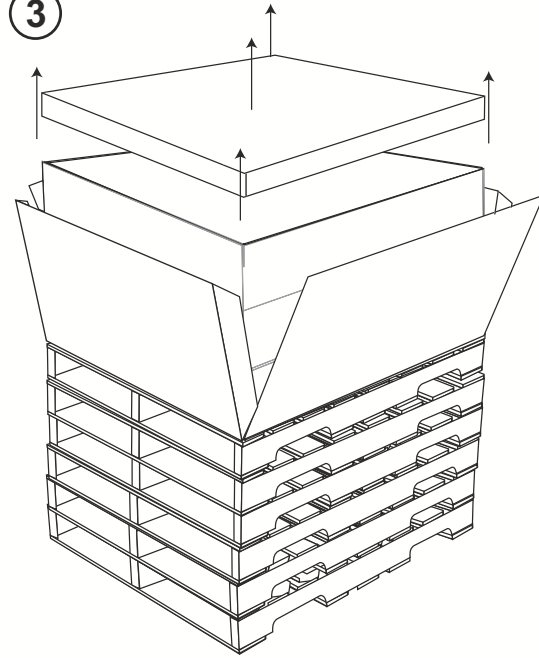
Place display on (5) pallets for the 30 inch or 3 pallets for the 15 inch shroud.

2



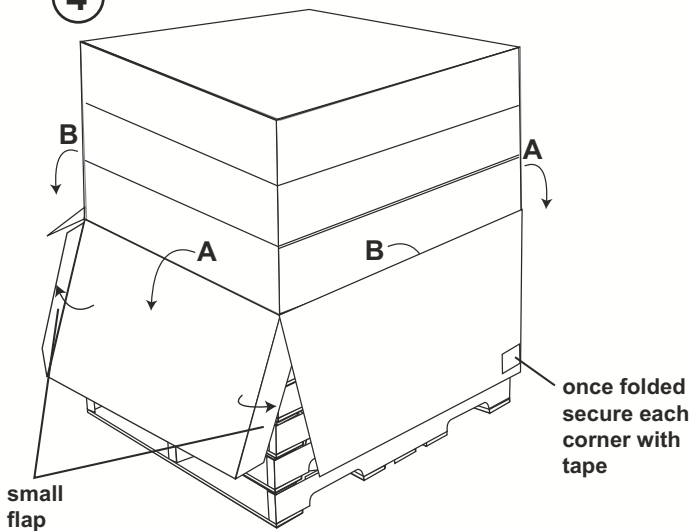
Remove stretch wrap and 4 corner posts.

3



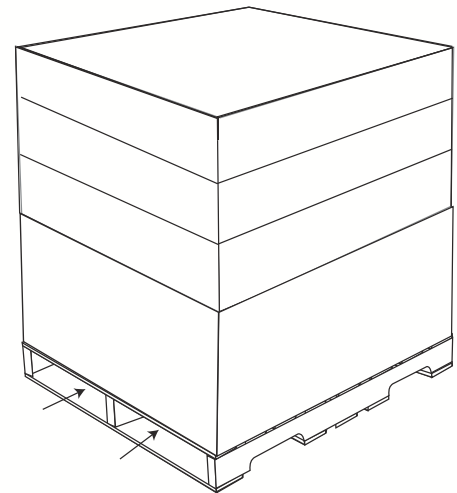
Remove top cap. Carefully cut tape holding shroud corner. Shroud side will fold down.

4



Side panels **(A)** with **small flap** areas should be folded down first. Fold in small flaps then fold down side panels **(B)** and secure all corners with 4" piece of clear tape.

5



Lift display from side. Place in designated area.